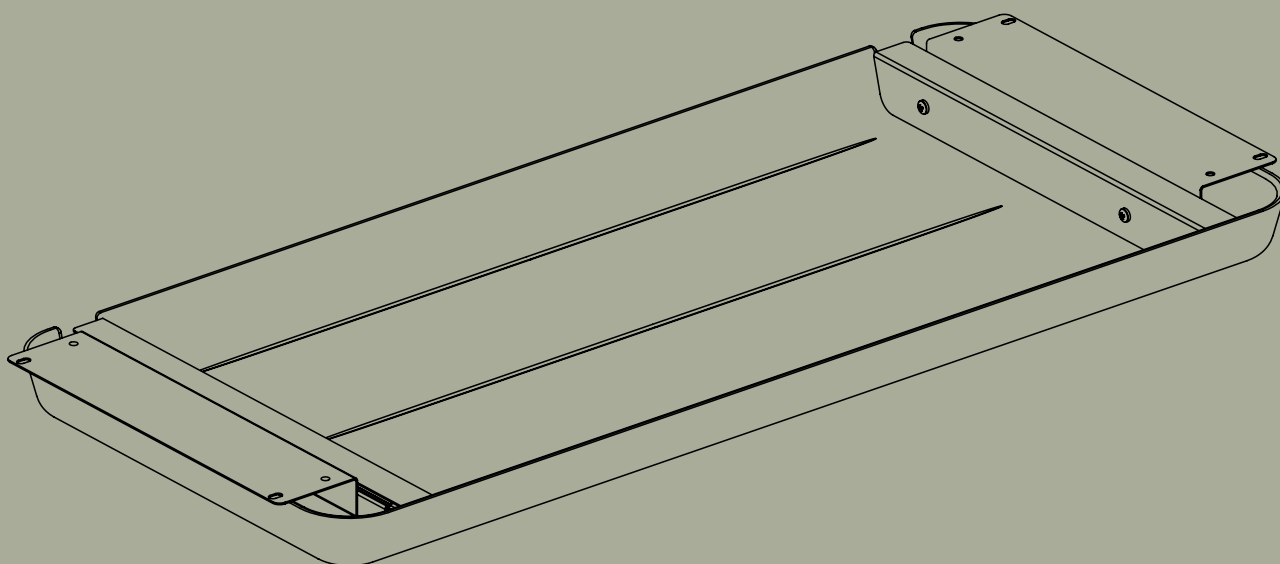


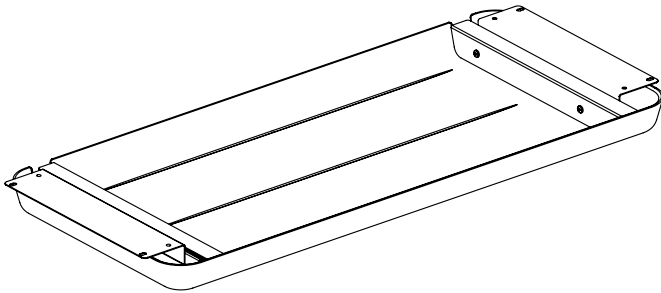
# FELT DRAWER

DESIGNED BY PJ PRODUCTION & HANS THYGE & CO



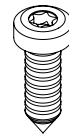
APTO

# PARTS



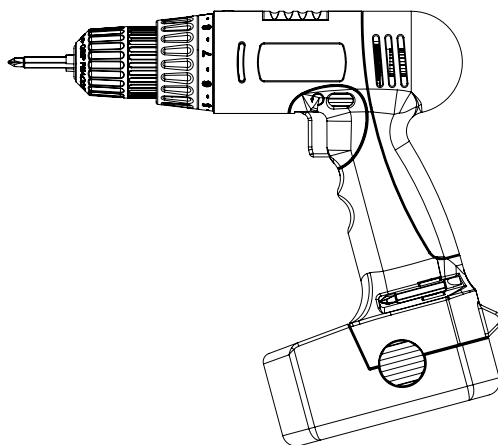
FELT DRAWER

Felt: 6000-0083



8 x SELF-TAPPING SCREWS

# WHAT YOU WILL NEED



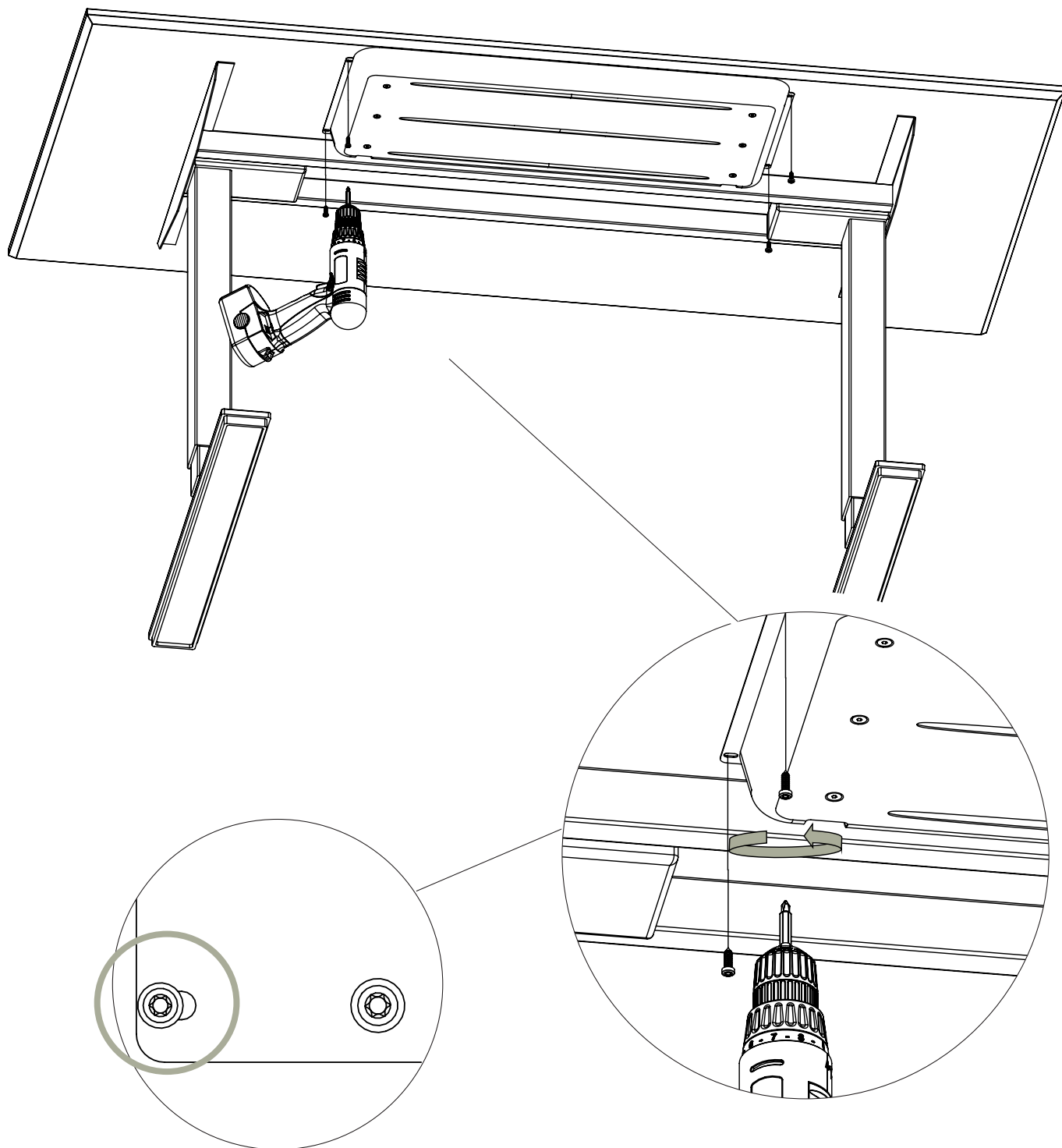
1 x ELECTRIC DRILL

# APTO

# STEP 1

Place the felt drawer underneath the table top running parallelly with the edge. Now carefully insert the self-tapping screws into the holes of the felt drawer, and use the electrical drill until the self-tapping screws have been sufficiently tightened.

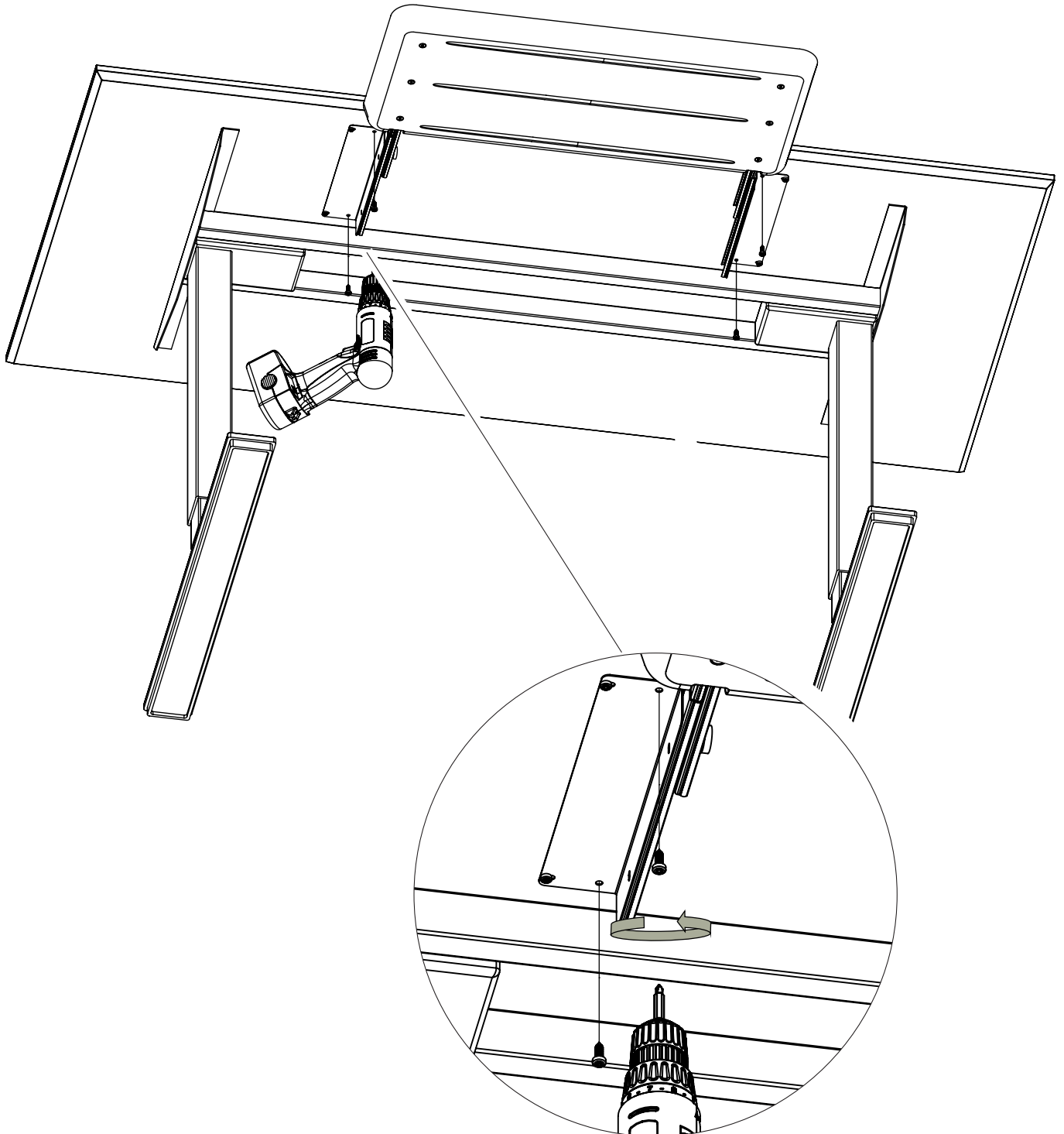
Note: We recommend you to place the self-tapping screws as shown on the illustration.



# APTO

## STEP 2

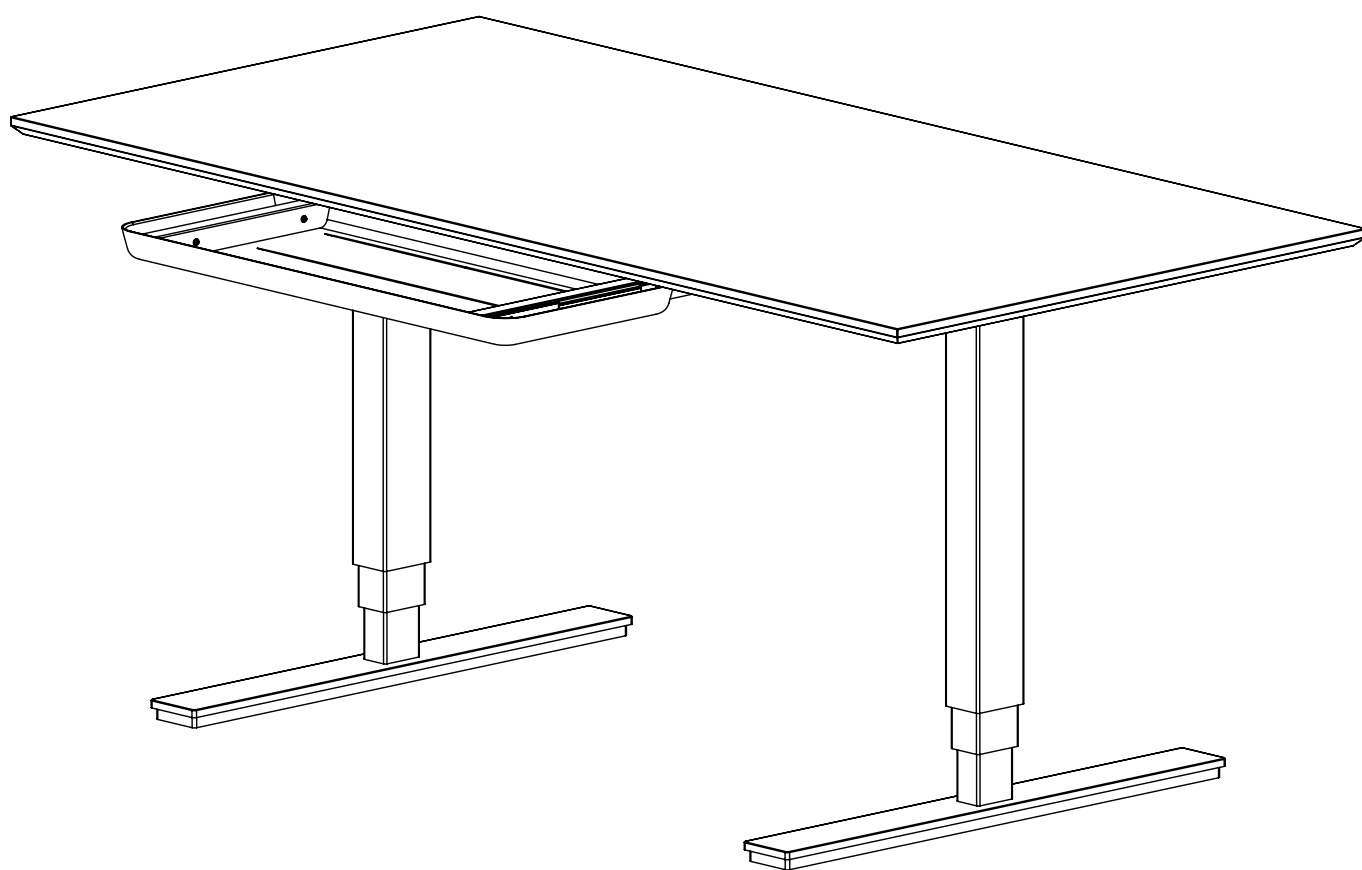
When the four visible screws have been tightened, please continue with the four invisible. Start by pulling out the drawer. Now carefully insert the self-tapping screws into the holes of the felt drawer, and use the electrical drill until the self-tapping screws have been sufficiently tightened.



# APTO

## STEP 3

The felt drawer is now ready to be used. Enjoy!



# APTO

Hårup Skovej 2, 8600 Silkeborg, Danmark  
+ 45 86 81 23 75 // [www.aptocollection.dk](http://www.aptocollection.dk)

APTO  
DANISH DESIGN